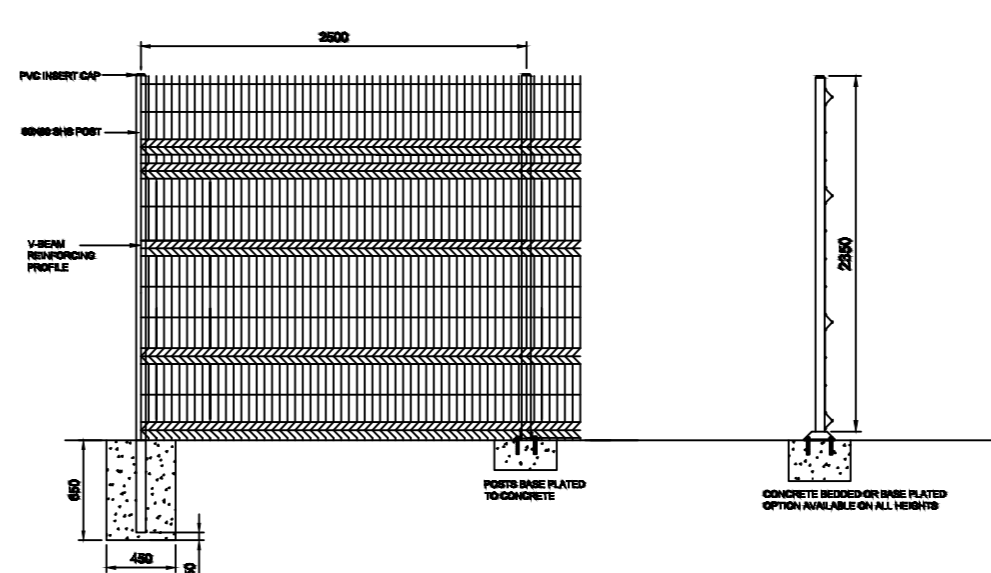


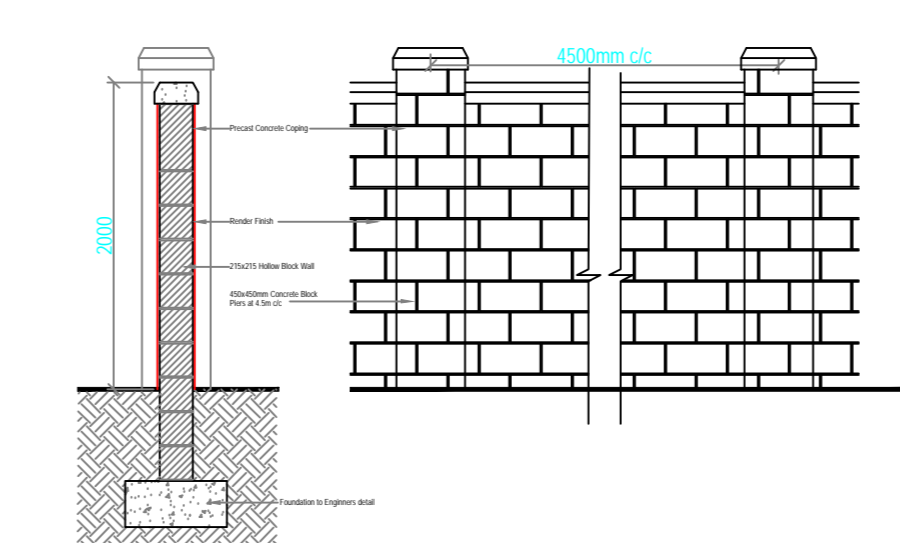


Key to Landscape Treatments

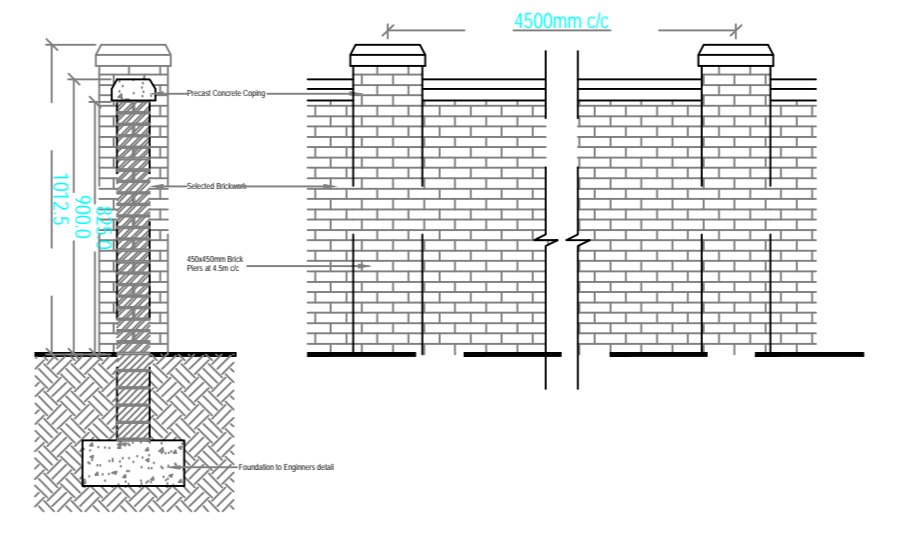
- EXISTING VEGETATION**
Existing Irregulars and vegetation to be retained and protected during the course of construction.
- EXISTING TREES**
Existing trees to be retained and protected during the course of construction.
- ALL HEDGEROW PLANTING TYPES:**
Hedgehog Planting
Prunus lusitana, 60-90cm hg at 250mm centres.
Native Hedgerow Planting
15% Galunna marginata, 60-90cm hg at 250mm centres.
10% Euzomyia europaea, 60-90cm hg at 250mm centres.
10% Malva sylvestris, 60-90cm hg at 250mm centres.
20% Prunus spinosa, 60-90cm hg at 250mm centres.
10% Prunus spinosa, 60-90cm hg at 250mm centres.
15% Sorbus aucuparia, 60-90cm hg at 250mm centres.
5% Sambucus nigra, 60-90cm hg at 250mm centres.
5% Salix caprea, 60-90cm hg at 250mm centres.
Thornless Hedgerow Planting
20% Acer campestre, 60-90cm hg at 250mm centres.
20% Crataegus oxyacantha, 60-90cm hg at 250mm centres.
10% Rosa agalabum, 2.1m hg at 250mm centres.
20% Euzomyia europaea, 60-90cm hg at 250mm centres.
15% Sorbus aucuparia, 60-90cm hg at 250mm centres.
- Boundary Treatment 1**
Metal post and Rigid Weld Mesh Fence - 1800mm High
- Boundary Treatment 2**
Concrete Block Wall, pointed and capped- 2000mm High
- Boundary Treatment 3**
Brick faced Concrete Block Wall precast capping- 2000mm High
- Boundary Treatment 4**
Brick faced Concrete Block Wall precast capping- 2000mm High
- Boundary Treatment 5**
Side Gate: Hardwood timber frame and infill- 1800mm High
- Boundary Treatment 6**
Concrete block wall, rendered and capped- 2000mm High
- Boundary Treatment 7**
1000mm high Wall Mounted Railing (all elements galvanised & powder coated) on 800mm high Concrete brick faced wall, rendered and capped
- Boundary Treatment 8**
1200mm high Timber post and three rail fence
- Boundary Treatment 9**
1000mm high Metal post and three rail metal fence
- Boundary Treatment 10**
Evergreen hedgerow dividing boundary



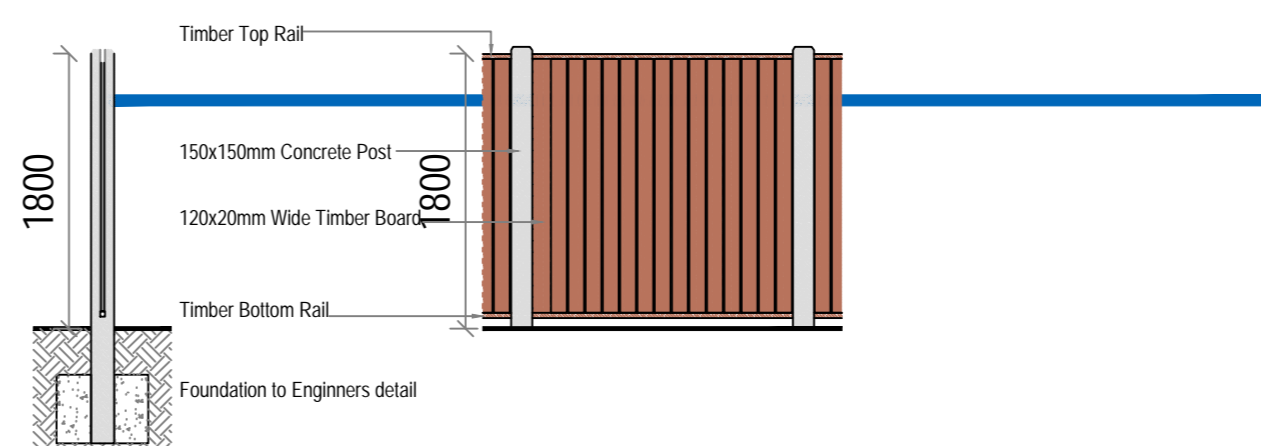
Boundary Treatment 1
Metal post and Rigid Weld Mesh Fence - 1800mm High
Scale 1:50



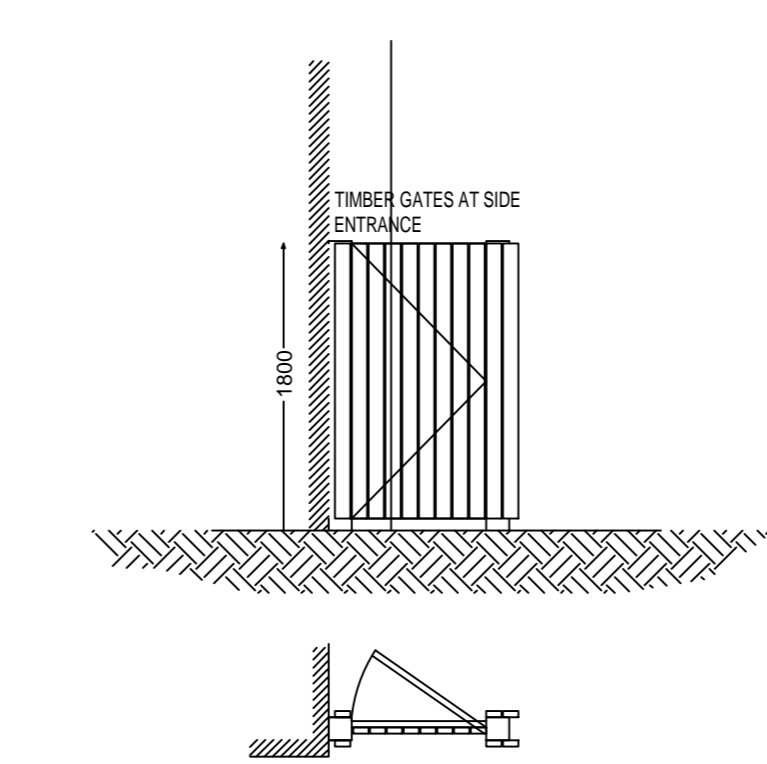
Boundary Treatment 2
Concrete Block Wall, pointed and capped- 2000mm High
Scale 1:50



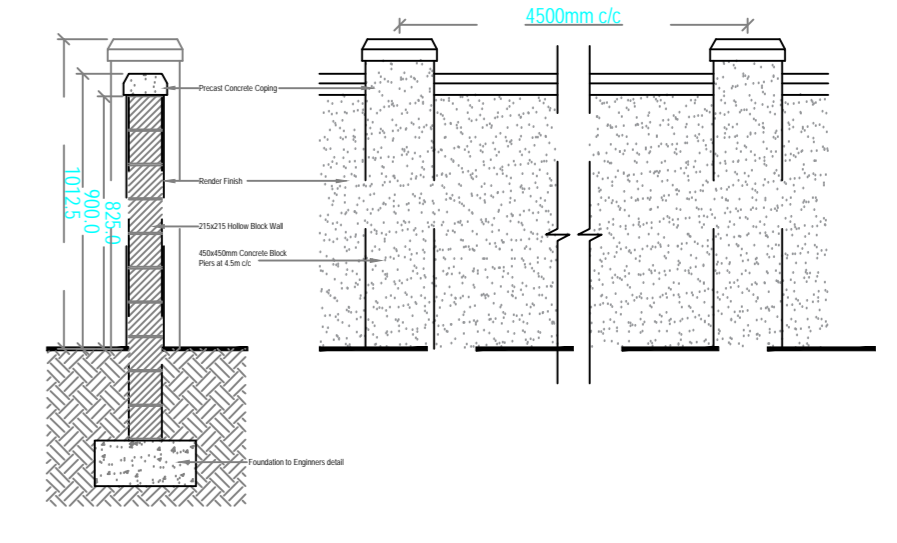
Boundary Treatment 3
Brick faced Concrete Block Wall precast capping- 2000mm High
Scale 1:50



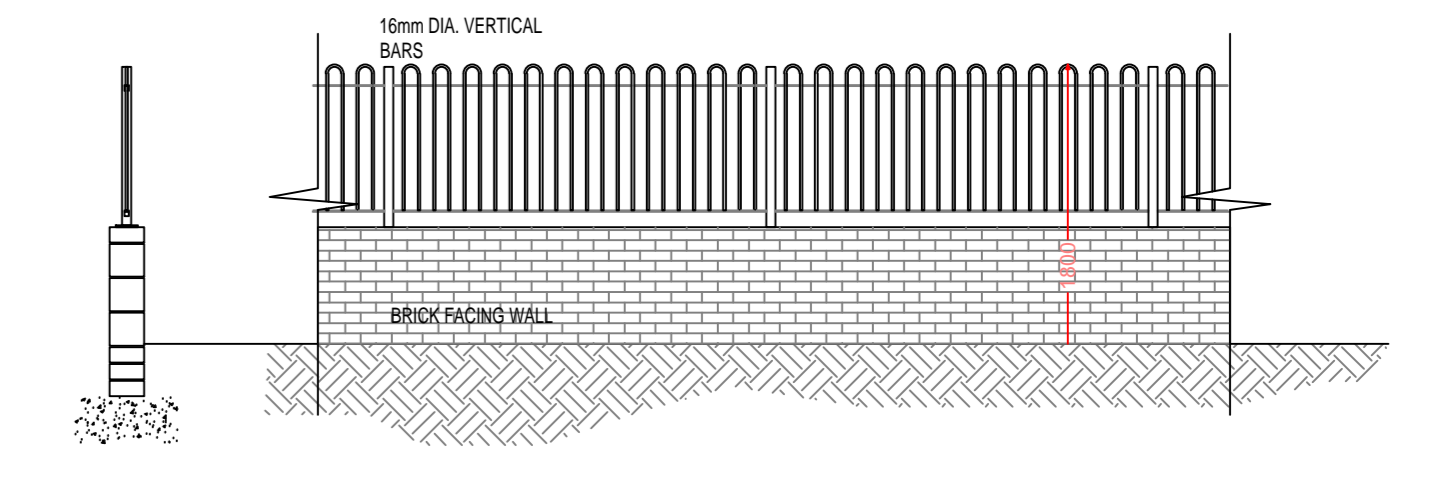
Boundary Treatment 4
Concrete post and Timber Panel fence- 1800mm High
Scale 1:50



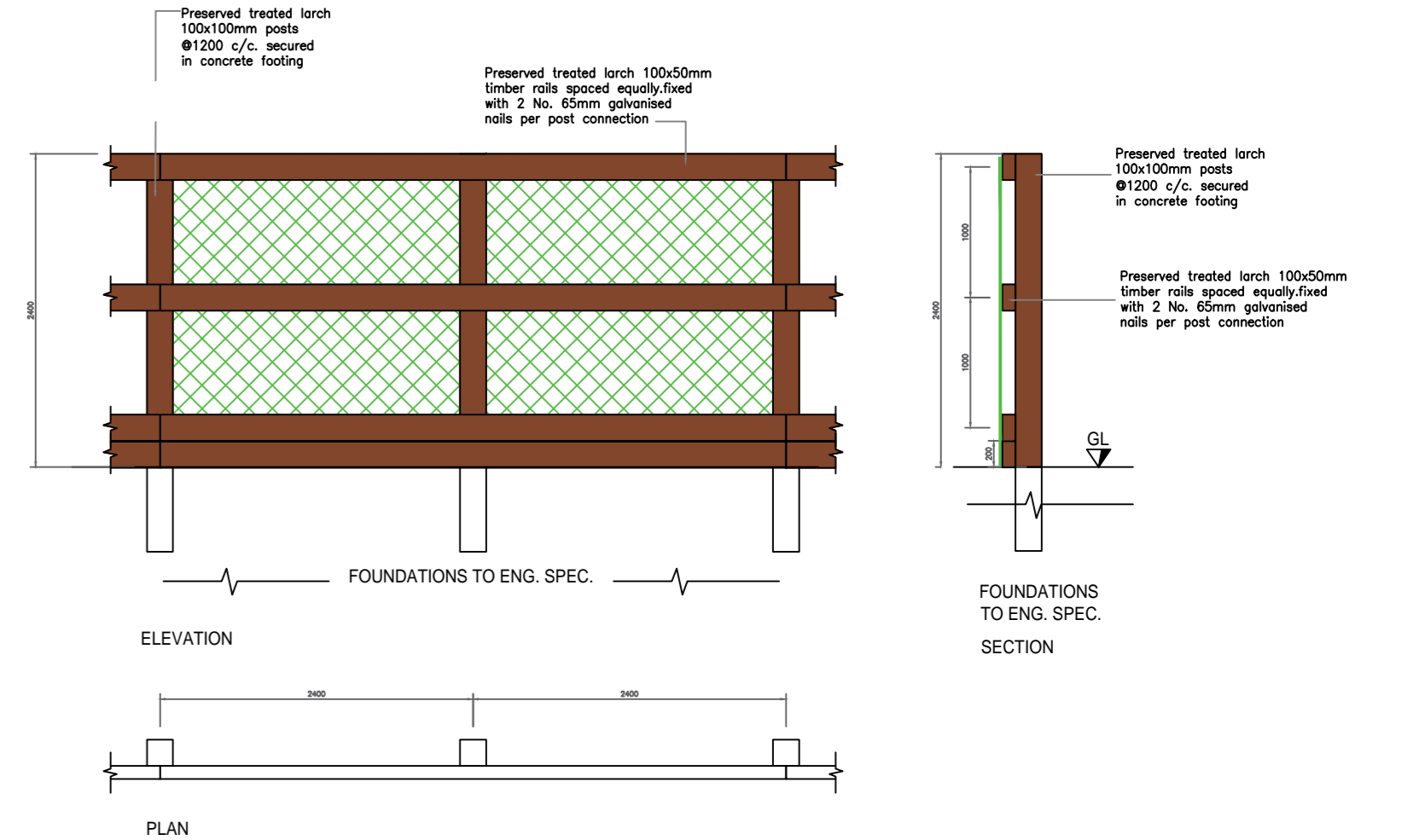
Boundary Treatment 5
Side Gate: Hardwood timber frame and infill- 1800mm High
Scale 1:50



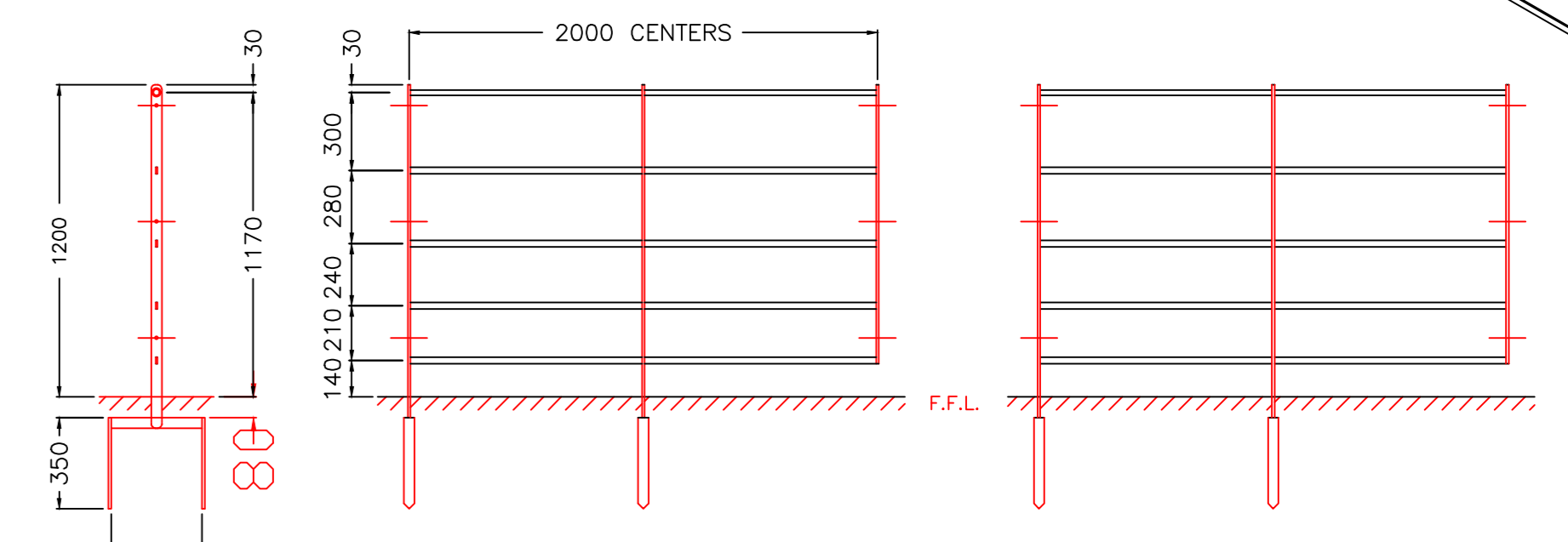
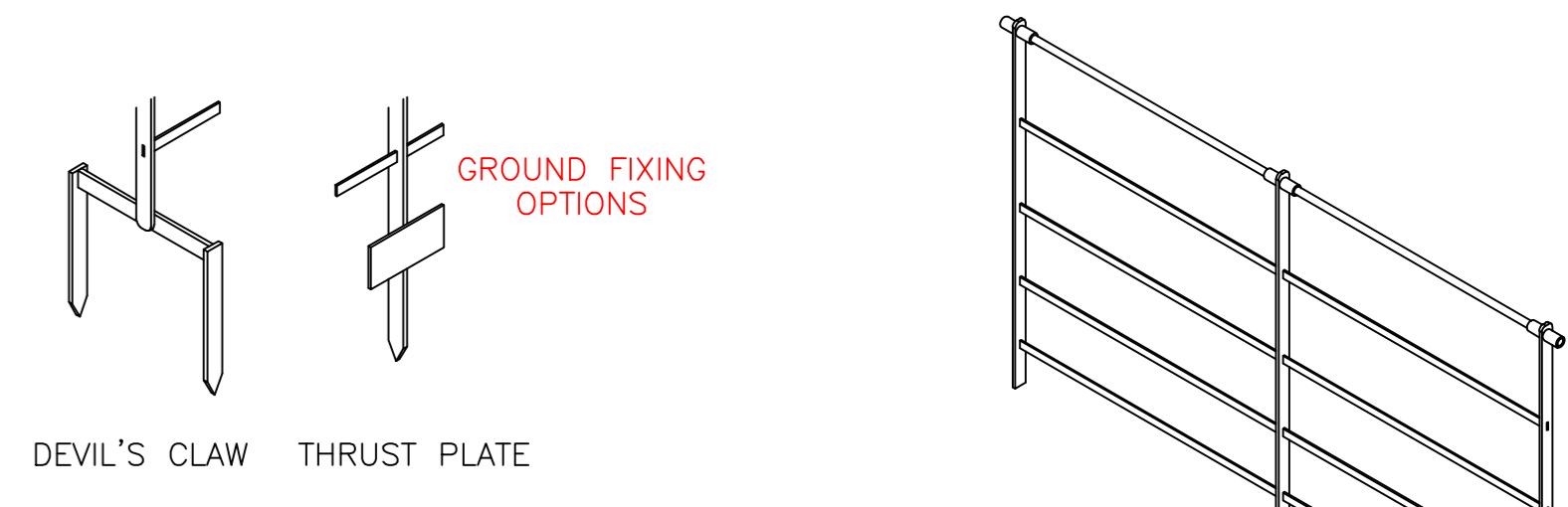
Boundary Treatment 6
Concrete block wall, rendered and capped- 2000mm High
Scale 1:25



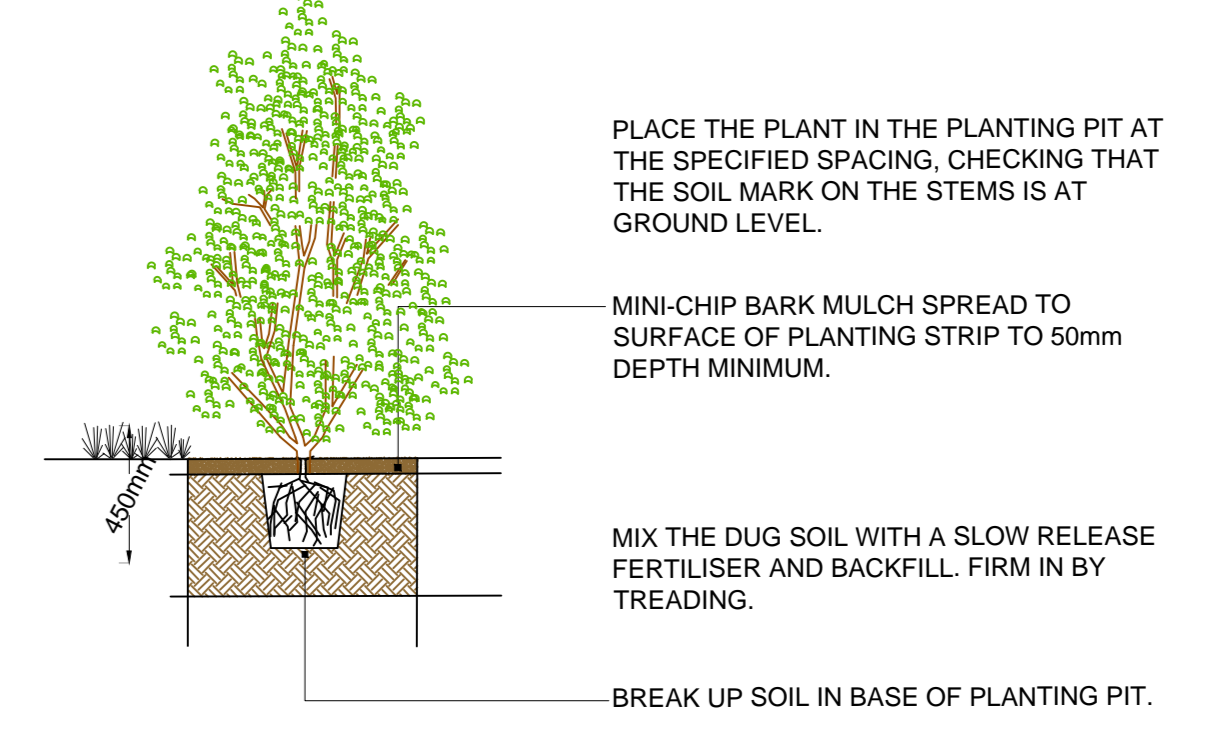
Boundary Treatment 7
1000mm high Wall Mounted Railing (all elements galvanised & powder coated) on 800mm high Concrete brick faced wall, rendered and capped
Scale 1:50



Boundary Treatment 8
1200mm high Timber post and three rail fence
Scale 1:25



Boundary Treatment 9
1000mm high Metal post and three rail metal fence
Scale 1:25



Boundary Treatment 10
Evergreen hedgerow dividing boundary
Scale 1:25

